



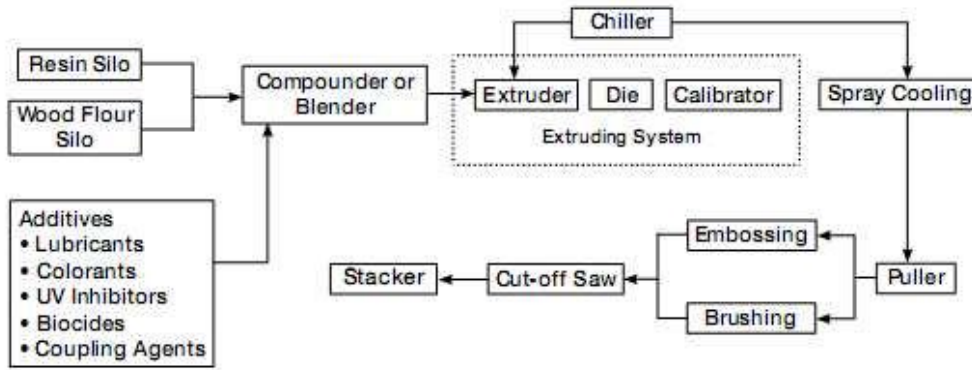
Manufacturing Technology of Wood Plastic Composite (WPC)

Sundi WPC is made of mainly natural plant fibers and plastics – high density polyethylene as raw materials adding antioxidants, UV stabilizers, lubricants, colorants and other necessary chemical additives. The processing is co-extruded via professional extrusion equipment at high temperature and pressure. We have a variety of extruded molding of different surface and profiles. The wood plastic composite materials have both wood and plastic performance advantages. It adheres to the affinity of a real wood floor but also has excellent moisture-proof, waterproof, mothproof, high strength and other functions, which is a new choice can replace the traditional wood floor.



Sundi [WPC decking](#) is a composite material made from special processing of biomass powders of fibers (such as waste agricultural and forestry products such as crop straw, wood or sheet fiber and powders) and waste plastics.

First step to mix the raw materials with a certain proportion of combination, plus a certain modifier for high-speed mixing by granulation to get uniform material wood plastic particles. Then the mixed blenders will be extruded by the twin screw extruder into the molding and at the same time. Finally, through a special treatment (embossing, brushing etc.), the composite materials will get various wood-grain and grooved surface.



Summary

WPC materials are up-to-date and fast-growing products which offer many advantages including flexibility of production and the use of recycled materials to make a recyclable product such as decking, cladding, railing, fencing etc. The manufacture of WPCs is relatively simple and uniform. WPC have become well-established outdoor building materials for a wider area of applications in the future.



High Speed Mixer Machine



Co-extrusion mass production lines



Brushing machine



Warehouse





Molding

