

Dry hanging Wallboard(2)

Wallboard-SLD160Y20 is a dry-hang structural outside wall siding board, which especially because of the unique design at the clipping area. It is in the structural hanging way of using clips to fix the wallboard and which will not damage the wallboard itself, it can not only prevent from distorting and cracking caused by the thermal expansion and contraction property of WPC material itself, but also can save construction time and cost.

This type of wallboard can be suitable for the external wall by large paving area, such as public buildings, outer wallboard for villas, etc.

- I . Main points of installation: (1) The foundation of wall should be steel-structured or cement based.
(2) Wall leveling: the level of errors should be controlled within ± 1 cm.

II . Materials needed: WPC profiles and auxiliaries are shown as list below(see table 1)



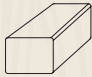

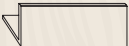

WPC profiles			Auxiliaries		
Model	Size	Figure	Model	Material	Figure
SLD160Y20	≤ 3000 mm		SDMP002	stainless steel	
SLD40S30	≤ 4000 mm		SDTS3. 9*25/ SDTS3. 9*60	stainless steel	
L型封边条	≤ 4000 mm		SDETNO. 8	plastic	

table 1

III. The installation steps are as follows:

- (1) Foundation leveling. Flipping the inked thread and find the horizontal level, then positioning the joist. (see chart 1)

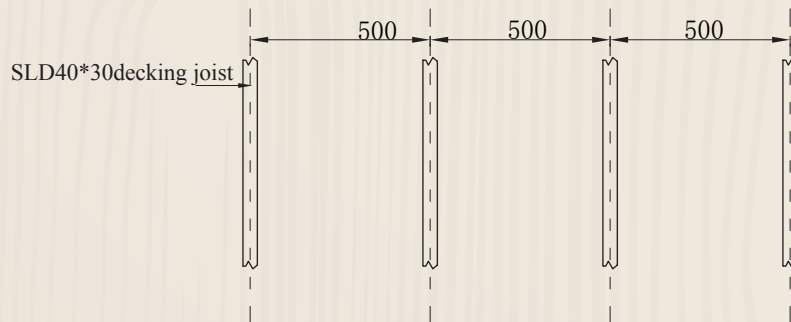


chart 1

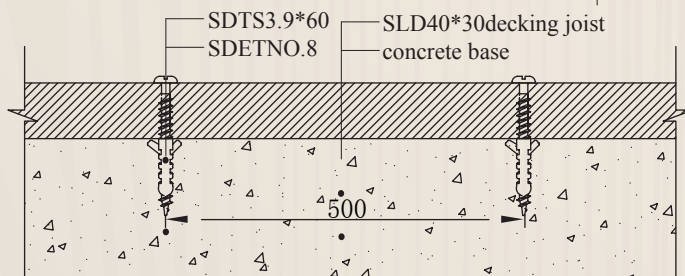
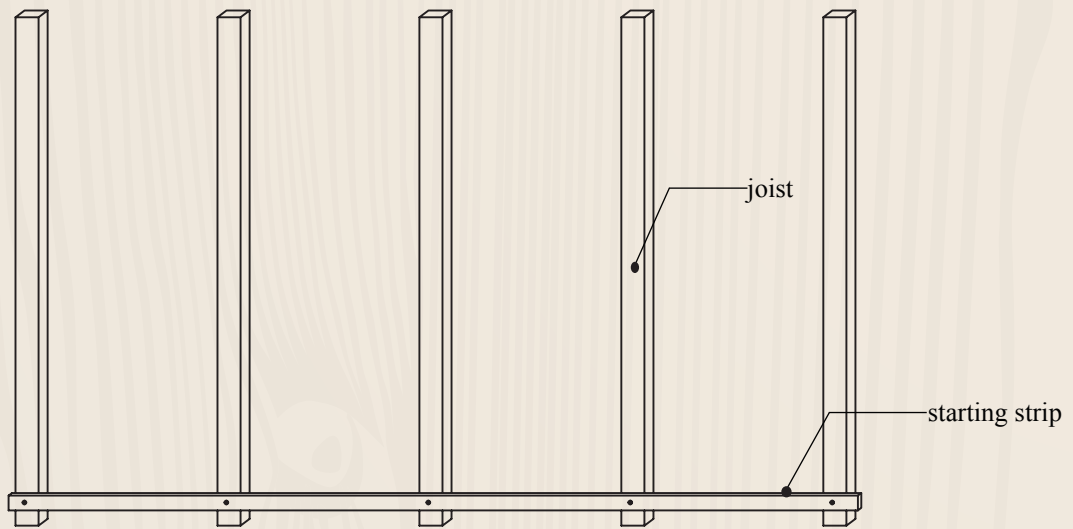


chart 2

- (2) Drill holes on the concrete wall with a churn drill, next place $\varnothing 8$ expansion pipes, and then fix the joist with 5*60 stainless steel self-tapping screws. The space between joists should be around 400~500mm and they should be fixed one by one. Please note that whether the installation of joist is leveled will directly determine on the installing effect of the wallboard

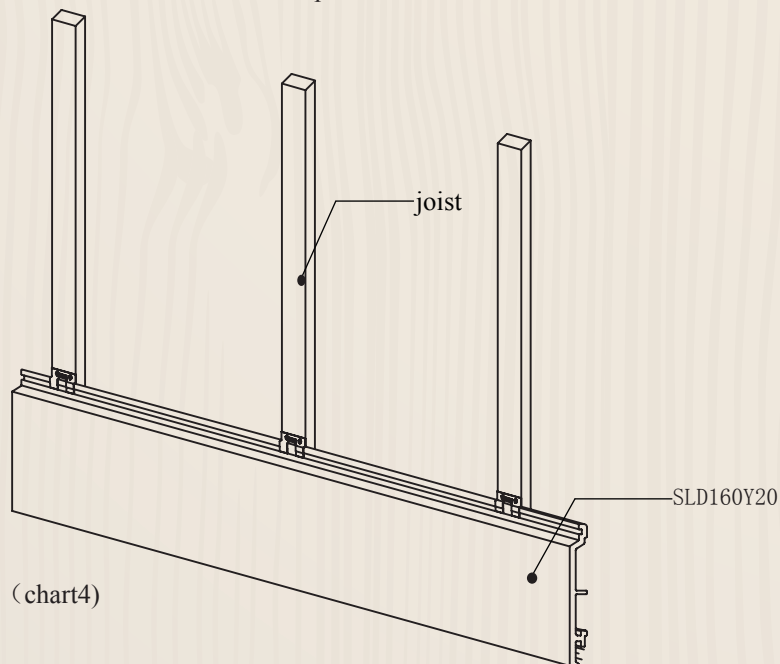
wallboard series-2

(3) Cut out the grooved part of the wallboard and put the special 304 stainless steel jointing clips at the clipping area, then fix it with two 3.9*35-sized stainless steel self-tapping screws.



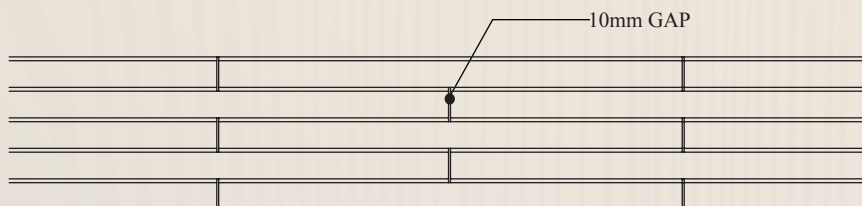
(chart3)

(4) WPC wallboard $\leq 3000\text{mm}$, follow the same way as fixing the first wallboard, keep the clipping side facing up and pave the wallboard in an order from the bottom up.



(chart4)

(5) WPC wallboard $\leq 3000\text{mm}$, follow the same way as fixing the first wallboard, keep the clipping side facing up and pave the wallboard in an order from the bottom up.



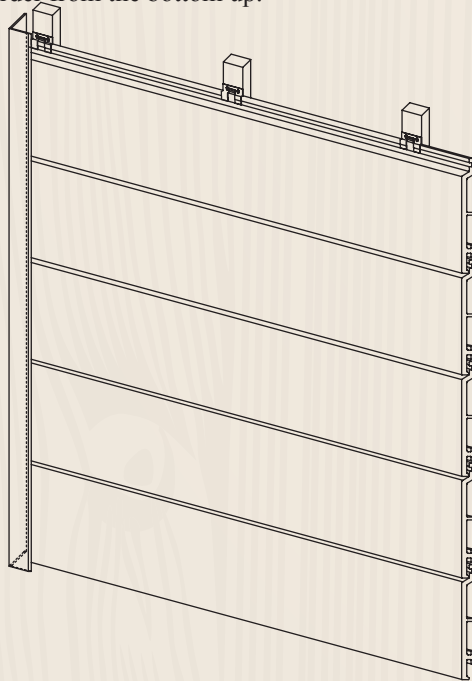
(chart 5)



gap is shown here

(6) WPC wallboard $\leq 3000\text{mm}$, follow the same way as fixing the first wallboard, keep the clipping side facing up and pave the wallboard in an order from the bottom up.

(chart6)



(7) After the wallboard installation is completed, then close the edge with “L” shaped side panel and fix it with 3.5*10-sized screws.

